

# Kodak T-HDX Plate Processors

## Technical Specifications

|  | T-HDX 850<br>Plate Processor  | T-HDX 1250<br>Plate Processor           | T-HDX 1500<br>Plate Processor           |
|--|---|---|---|
| Accredited digital plates                                    | <b>Kodak Trillian SP Thermal, Electra XD Thermal, Sword Ultra Thermal, Electra Excel HRO/HRL Thermal and DITP Gold Thermal Plates</b>           |   |   |
| Suitability  | Recommended for processing over 30,000 m <sup>2</sup> per year  |   |   |
| Maximum plate width  | 850 mm (33.5 in)  | 1250 mm (49.2 in)                       | 1500 mm (59.1 in)                       |
| Minimum plate length   | 285 mm (11.2 in)  |   |   |
| Plate gauge  | 0.15 - 0.40 mm (0.006 - 0.016 in)   |   |   |
| Adjustable temperature, developer<br>(Cooling unit included) | 18 - 35°C +/- 0.5°C<br>(64 - 95°F +/- 0.9°F)  |   |   |
| Adjustable temperature, dryer                                | 30 - 55°C +/- 0.5°C<br>(86 - 131°F +/- 0.9°F)   |   |   |
| Tank volume, developer                                       | 54 liters (14.3 US gal)   | 79 liters (20.9 US gal)                 | 95 liters (25.2 US gal)                 |
| Tank volume, wash  | 14 liters (3.7 US gal)  | 20.5 liters (5.4 US gal)                | 23.5 liters (6.4 US gal)                |
| Tank volume, gum   | 3.5 liters (0.9 US gal)   | 4.2 liters (1.1 US gal)                 | 6.6 liters (1.7 US gal)                 |
| Water supply   | 1 - 6 bar (15 - 87 psi)<br>Minimum recommended water pressure with tap water installation =<br>2.75 bar (40 psi) + 19 liters/min (5 US gal/min) |   |   |
| Wash   | Direct-to-drain or recirculated water   |   |   |
| Water consumption, recirculation                             | Adjustable, maximum 200 mL/m <sup>2</sup> (0.053 US gal/m <sup>2</sup> )  |   |   |
| Processing speed   | 40 - 220 cm/min<br>(15.7 - 86.6 in/min)   | 40 - 180 cm/min<br>(15.7 - 70.9 in/min) | 40 - 180 cm/min<br>(15.7 - 70.9 in/min) |
| Power requirements   | 50/60 Hz, 3 phase, 230 VAC  |   |   |
| Power consumption  | 0.5 kW ready /<br>1.9 kW operation  | 0.5 kW ready /<br>2.0 kW operation      | 0.5 kW ready /<br>2.0 kW operation      |
| Approvals  | UL, c-UL certified. Complies with CE standards and RoHs directive   |   |   |
| Weight, uncrated   | 400 kg (882 lbs)  | 600 kg (1,323 lbs)                      | 650 kg (1,430 lbs)                      |
| Weight, crated   | 600 kg (1,323 lbs)  | 800 kg (1,764 lbs)                      | 850 kg (1,870 lbs)                      |

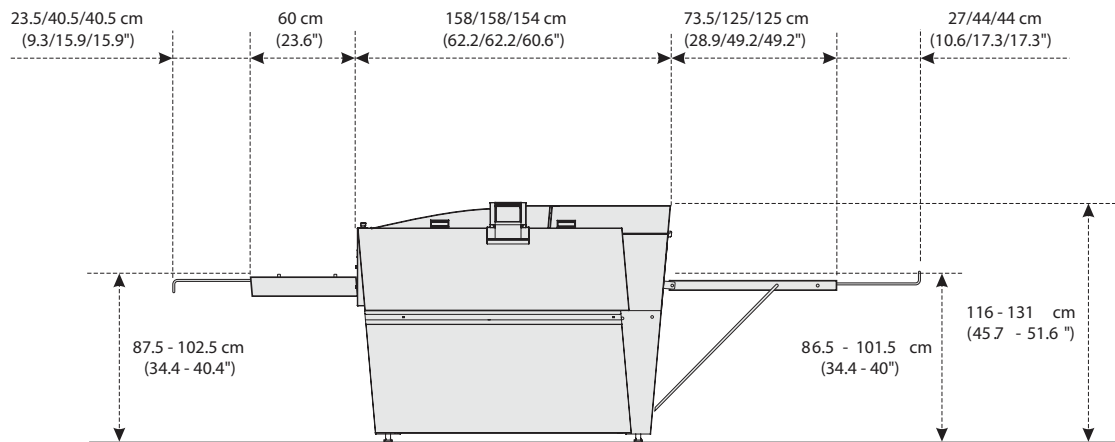


**Kodak**

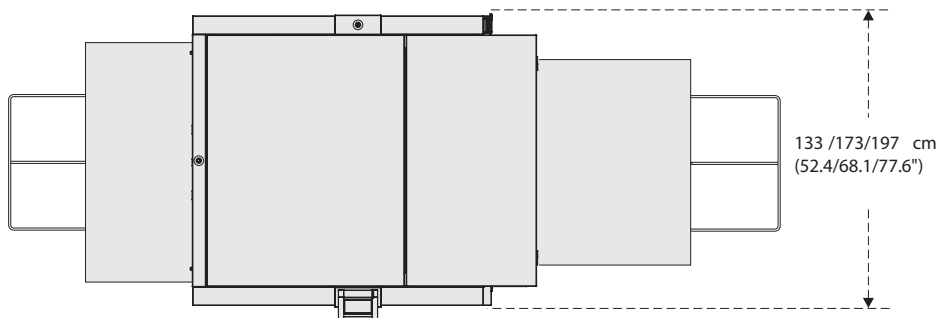
T-HDX Plate Processors

# Kodak T-HDX Plate Processor Dimensions

## Side View



## Top View



Drip trays, interfaces, infeed and delivery tables available as options.

### To learn more about solutions from Kodak:

Visit [graphics.kodak.com](http://graphics.kodak.com)

Produced using Kodak Technology.

**Kodak Headquarters EAMER:** Geneva, Switzerland

**Kodak Technical Centre EAMER:** La Hulpe, Belgium

T. +32.2.352 25 11

F. +32.2.351 09 15

©Kodak, 2011. Kodak, DITP Gold, Electra Excel, Sword Ultra and Trillian are trademarks of Kodak.

Subject to technical change without notice.

E.PC.141.0511.en.02



It's time for you **AND** Kodak